

APPROVED FOR  
CONSTRUCTION:

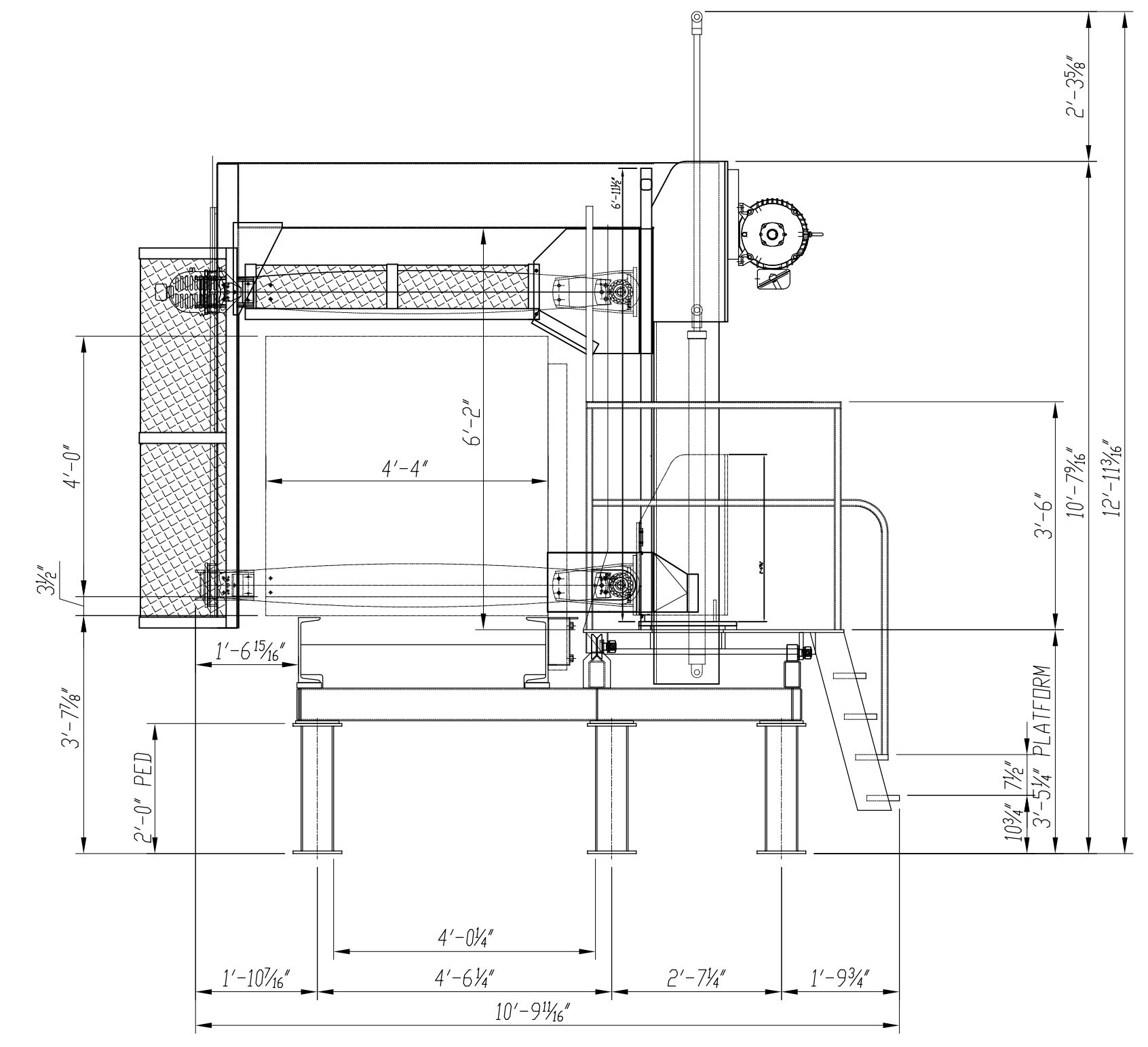
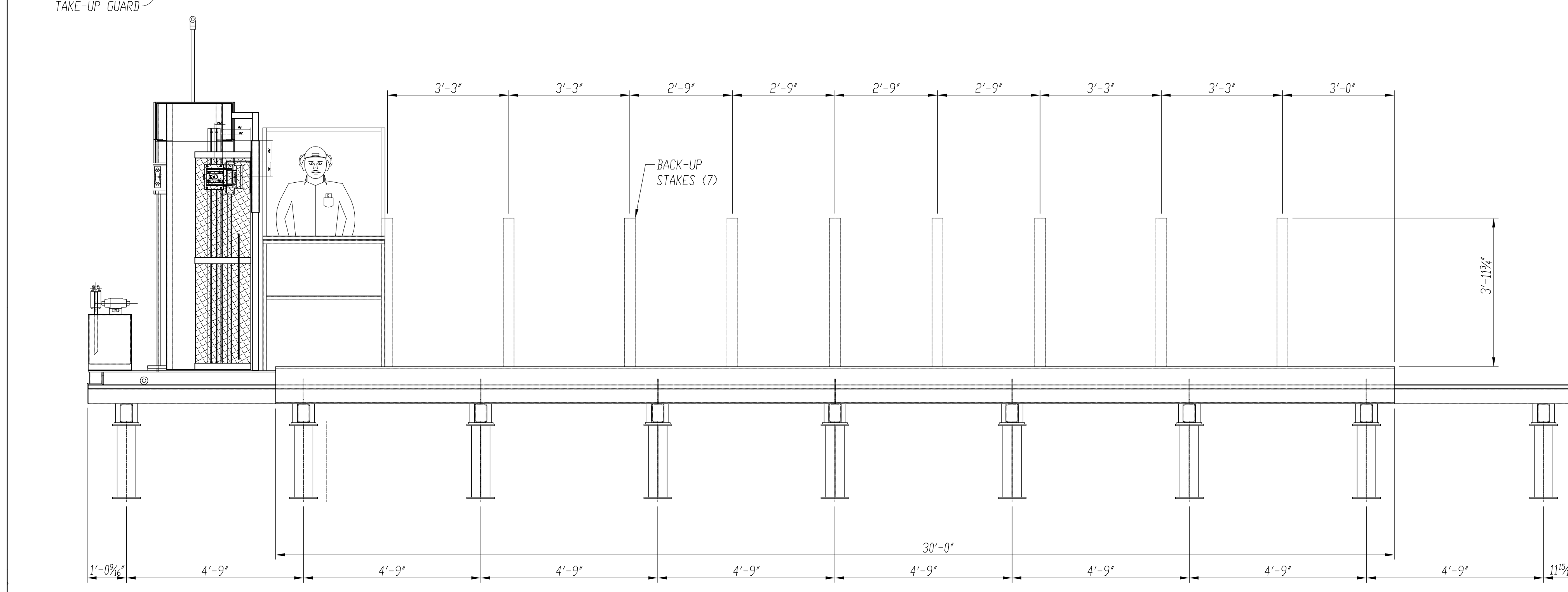
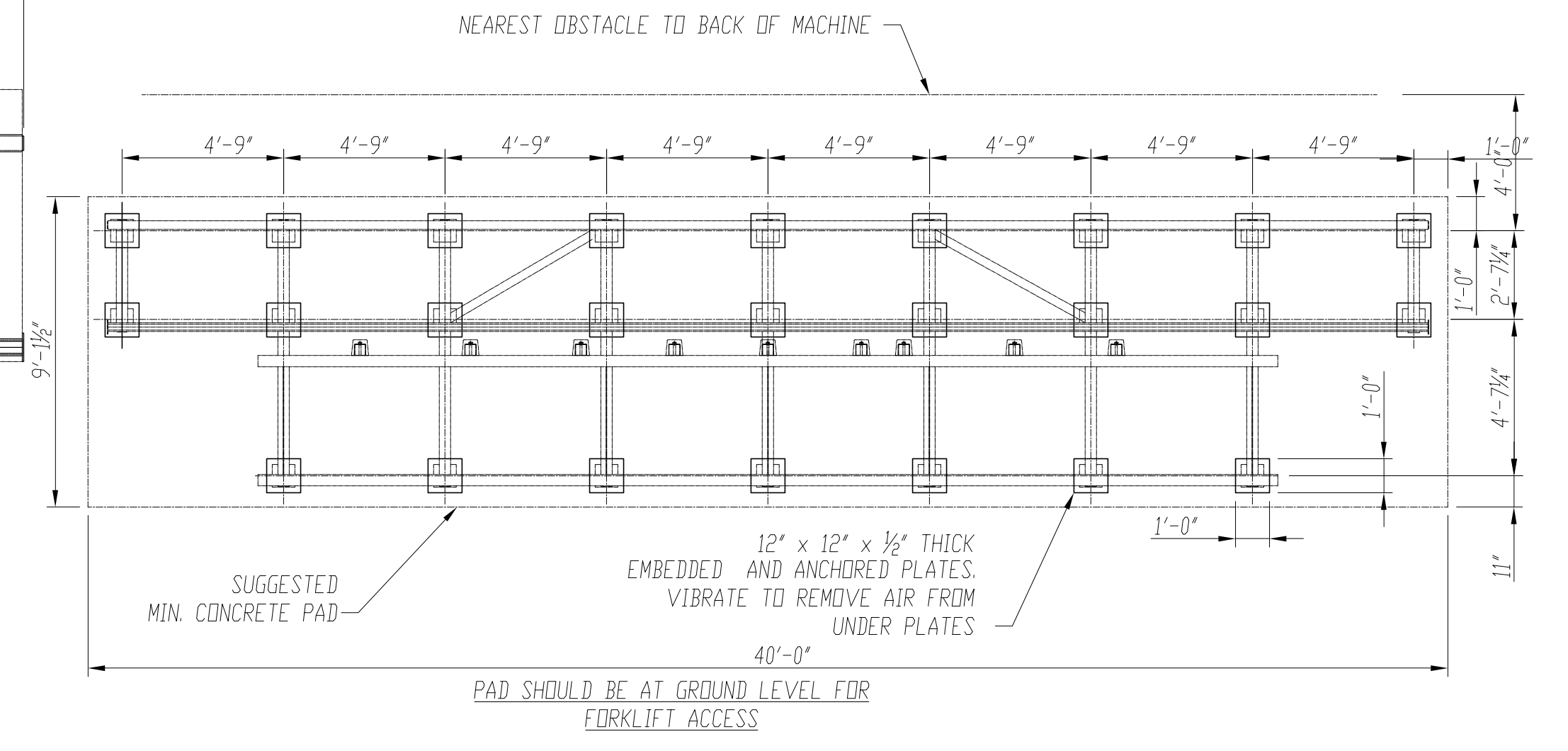
AT PALLET

\_\_\_\_ / \_\_\_\_ 2006

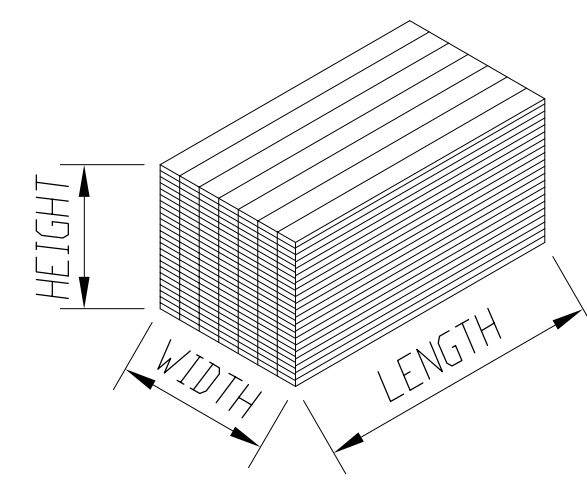
MONTH DAY

ELECTRICAL SUPPLY  
\_\_\_\_ V / 3 PHASE FOR  
SAW CIRCUIT

AIR SUPPLY



- ELECTRICAL CONNECTION TO CARRIAGE BY CUSTOMER
- 7"Ø DUST COLLECTION CONNECTION BY CUSTOMER
- INSTALLATION OF EQUIPMENT BY CUSTOMER
- SITE PREPERATION BY CUSTOMER PER LOCAL BUILDING CODE
- EMBEDED PLATES SHOULD BE LEVEL AND WITHIN +/- 1/8" IN ELEVATION
- ALL NECESSARY PERMITS AND INSPECTIONS ARE THE SOLE RESPONSIBILITY OF THE CUSTOMER



	CAPACITIES	HEIGHT	WIDTH	LENGTH
INFEED	MAXIMUM	4'-0"	4'-4"	30'-0"
	MINIMUM	18"	18"	4'-0"
OUTFEED	MAXIMUM	4'-0"	4'-4"	30'-0"
	MINIMUM	N/A	N/A	N/A

L-M EQUIPMENT CO. (1981) LTD.  
BURNABY, BC

**I-CUT 30'-0"  
MOVING VERTICUT**

DATE: JUNE 2006 SCALE: 1/2"=1'-0"  
 DRAWN BY: GMAC DWG. NO.:  
 CHECKED BY: RHW